

## Vertical mount heat exchanger - 7.4 Watts/°F

- Quick Features :**
- Closed-loop cooling
  - CFC-free
  - Quality ball-bearing type fans
  - 100% Factory tested
  - Maintains NEMA 12 integrity



Visit [www.jimdgray.com](http://www.jimdgray.com) for details.

Call us @ 1-972-699-9976

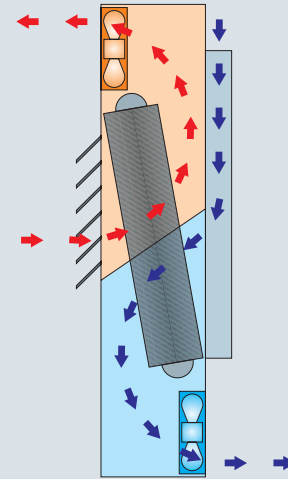
The **IQ900HEV** vertical mount heat exchangers are used to reduce heat accumulation within enclosures and maintain a safe operating temperature. These units use closed-loop cooling technology, which removes heat without letting dirty outside air into the sealed enclosure.

The heat exchangers feature a rugged 16 GA welded steel, dent resistant cabinet construction. The units have a space saving aesthetic cabinet design. A hermetically sealed, CFC free heat pipe core provides high efficiency heat transfer. The units have maintenance free, long last-

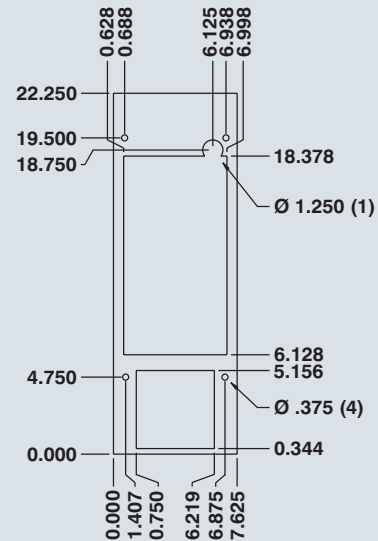
ing, permanently lubricated ball bearing type fans. All units are factory tested and are designed to mount on the side of an enclosure, while maintaining NEMA 12 integrity. Units are ANSI/ASA 61 gray or brushed stainless steel. **UL / ULc Listed NEMA 12 / IP54**



**AIR FLOW DIAGRAM**



**CUT-OUT DRAWING**



Unit shown above is custom-painted 'Jet Black'. Standard units are painted ANSI 61 gray or brushed stainless steel. Other custom colors, such as beige, are also available.

CATALOG NUMBER		WATTS /°F	VOLTS /HZ	MAX. AMPS	MAX. TEMP	DIMENSIONS			SHIP WGHT LBS.
MILD STEEL	STAINLESS STEEL					H	W	D	
IQ900HEV-126	IQ900HEV-126-SC	7.4	120/60	0.35	150°F	22.25	7.63	3.00	11
IQ900HEV-126	IQ900HEV-126-SC	7.4	110/50	0.40	150°F	22.25	7.63	3.00	11
IQ900HEV-236	IQ900HEV-236-SC	7.4	230/60	0.18	150°F	22.25	7.63	3.00	11
IQ900HEV-236	IQ900HEV-236-SC	7.4	220/50	0.20	150°F	22.25	7.63	3.00	11

Data subject to change without notice.