

## Top mount air conditioner - 5000 to 6000 BTU

The IQ5000T top mount air conditioners are used to reduce heat accumulation within enclosures and maintain a safe operating temperature.

These units use closed-loop cooling technology, which removes heat without letting outside air into the sealed enclosure. All units feature a digital program-

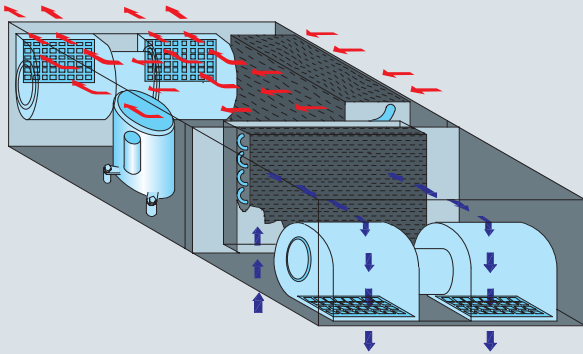
ble temperature controller with an alarm. The air conditioners feature a rugged 16 GA welded steel, dent resistant cabinet construction. The units have a space saving aesthetic cabinet design. The units are powered by an efficient, quiet and long lasting rotary compressor, with a CFC-free refrigeration system.

All units are factory tested and are designed to mount on the top of an enclosure, while maintaining NEMA 12 integrity. Units are ANSI/ASA 61 gray or brushed stainless steel.

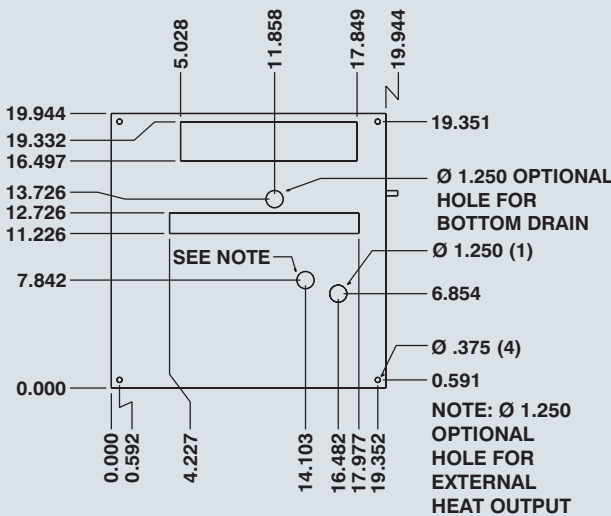
**UL / ULc Listed**  
**NEMA 12 / IP54**

**Steel units: NEMA 4 w/N4GK kit**  
**SS units: NEMA 4X w/N4GK kit**

AIR FLOW DIAGRAM



CUT-OUT DRAWING



Unit shown above is custom-painted 'Jet Black'. Standard units are painted ANSI 61 gray or brushed stainless steel. Other custom colors, such as beige, are also available.



- Quick Features :**
- Closed-loop cooling
  - Digital controller
  - Visual alarm
  - Audible alarm
  - CFC-free
  - 100% Factory tested
  - NEMA 4 available
  - Available in steel & stainless steel



Visit [www.jimdgray.com](http://www.jimdgray.com) for details.

Call us @ 1-972-699-9976

CATALOG NUMBER		BTU /HR	VOLTS /HZ	MAX. AMPS	MAX. TEMP	DIMENSIONS			SHIP WGT LBS.
MILD STEEL	STAINLESS STEEL					H	W	D	
IQ5000T-126	IQ5000T-126-SC	5000	120/60	8.9	125°F	12.06	19.94	19.94	75
IQ5000T-236	IQ5000T-236-SC	5000	230/60	4.5	125°F	12.06	19.94	19.94	75
IQ5000T-236	IQ5000T-236-SC	5000	220/50	4.2	125°F	12.06	19.94	19.94	75
IQ6000T-126	IQ6000T-126-SC	6000	120/60	10.3	125°F	12.06	19.94	19.94	75
IQ6000T-236	IQ6000T-236-SC	6000	230/60	5.2	125°F	12.06	19.94	19.94	75
IQ6000T-236	IQ6000T-236-SC	6000	220/60	5.7	125°F	12.06	19.94	19.94	75

Data subject to change without notice.

## Suggested Accessories

- Washdown Hoods** p.425
- N4GK NEMA 4/4X Gasket Kit** p.426
- Ambient Corrosive Package** p.426
- External Alarms Audible & Visual** p.425
- Heating & Low Ambient Packages** p.426
- Remote IQ-X Controller** p.425
- ICENET Remote Control Package** p.426