

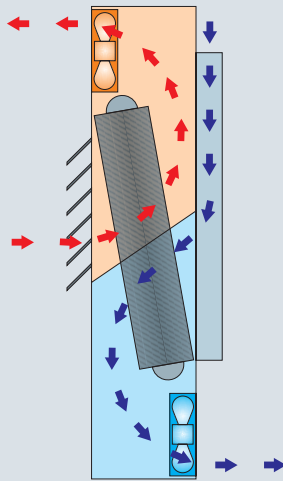
Vertical mount heat exchanger - 11.0 Watts/°F

The IQ1350HEV vertical mount heat exchangers are used to reduce heat accumulation within enclosures and maintain a safe operating temperature. These units use closed-loop cooling technology, which removes heat without letting dirty outside air into the sealed enclosure.

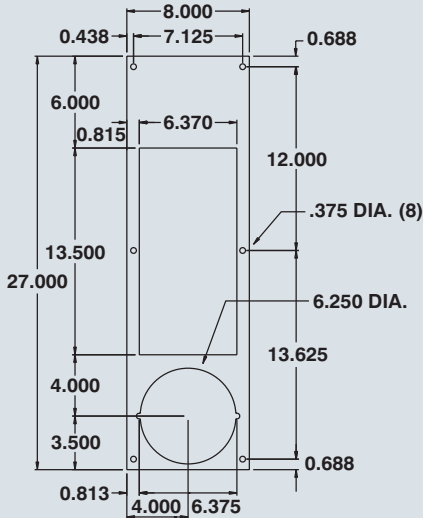
The heat exchangers feature a rugged 16 GA welded steel, dent resistant cabinet construction. The units have a space saving aesthetic cabinet design. A hermetically sealed, CFC free heat pipe core provides high efficiency heat transfer. The units have maintenance free, long last-

ing, permanently lubricated ball bearing type fans. All units are factory tested and are designed to mount on the side of an enclosure, while maintaining NEMA 12 integrity. Units are ANSI/ASA 61 gray or brushed stainless steel. **UL / ULc Listed**
NEMA 12 / IP54

AIR FLOW DIAGRAM



CUT-OUT DRAWING



Unit shown above is custom-painted 'Jet Black'. Standard units are painted ANSI 61 gray or brushed stainless steel. Other custom colors, such as beige, are also available.

CATALOG NUMBER		WATTS /°F	VOLTS /HZ	MAX. AMPS	MAX. TEMP	DIMENSIONS			SHIP WGHT LBS.
MILD STEEL	STAINLESS STEEL					H	W	D	
IQ1350HEV-126	IQ1350HEV-126-SC	11.0	120/60	0.80	150°F	27.00	8.00	3.00	15
IQ1350HEV-126	IQ1350HEV-126-SC	11.0	110/50	0.84	150°F	27.00	8.00	3.00	15
IQ1350HEV-236	IQ1350HEV-236-SC	11.0	230/60	0.40	150°F	27.00	8.00	3.00	15
IQ1350HEV-236	IQ1350HEV-236-SC	11.0	220/50	0.42	150°F	27.00	8.00	3.00	15

- Quick Features :**
- Closed-loop cooling
 - CFC-free
 - Quality ball-bearing type fans
 - 100% Factory tested
 - Maintains NEMA 12 integrity



Visit www.jimdgray.com for details.

Call us @ 1-972-699-9976

Data subject to change without notice.